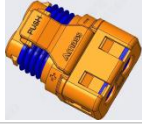

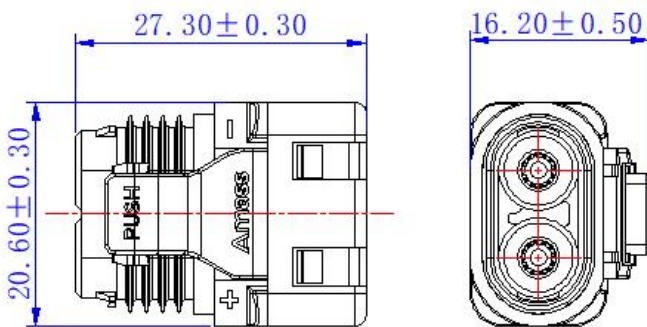


1. Model Number: LFB30-F

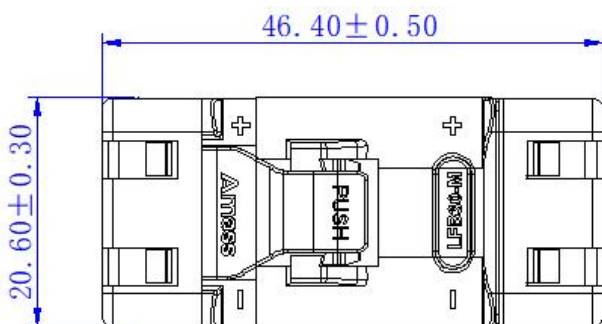
Component Name	Component Code	Component Image
LFB30-F Orange	97019-F.O	
LC30-F Metal Part	91022-F.S	

2. Product Stacking Diagram

Stacking Dimension



Mating Dimension



3. Technical Specifications

Elec. Char.	
Rated Current	25A (12 AWG [△] ≤30K)
	20A (14 AWG [△] ≤30K)
	35A (12 AWG [△] ≤55K)
	30A (14 AWG [△] ≤55K)
Rated Voltage	150V DC
Insulation Resistance	≥2000MΩ
Contact Resistance	≤0.6mΩ
Mech. Char.	
Service Life	30 cycles
Insertion force	≤7.5kgf
Pull out force	≥10kgf
Envi. Perf.	
IP Rating	IP67
Operating Temperature	-20°C to 120°C
Applicable wire insulation diameter	Silicone wire 3.5mm~5.0mm
Flame Class (Main Body)	UL94 V-0
GWFI	GWFI 850°C
Environmental Requirements	RoHS2.0, Reach, PAHS, TSCA, CP65
Salt Spray	Per GB/T 2423.17-2008, 48H min.
Mat.	
Housing	Main Plastic Housing: PBT; Orange
Main Copper Part	Copper-T2
Plating	Silver
Appl.	
Connection Method	Hexagonal Crimping

4. Transportation and Storage

- a) Products shall be stored in a clean and dry environment. No acid, alkali, or other corrosive gases shall be present in the vicinity of the storage area.
- b) Storage conditions for unopened products: Temperature: -20°C to 25°C; Humidity: ≤ 80%; Storage period: 1 year.
- c) For silver-plated components, store in a light-proof, sealed package. Prolonged air exposure or contact with sulfides is strictly prohibited. Bare-hand touching is not allowed.
- d) Products are suitable for transportation by conventional means. During transport, avoid impact, severe vibration, exposure to rain or snow, and water immersion.

5. Precautions

- a) Do not use the connector beyond its rated current and voltage, or insert/remove it while the circuit is live. Failure to comply may result in accidents or malfunction.
- b) The connector is intended for circuit connection only and is not a load-bearing component. Do not use the connector as part of a structural assembly.
- c) Use the connector only under the environmental conditions specified in this datasheet. Do not use it in locations with high temperature or high humidity.
- d) The connector is a precision component and is susceptible to deformation, bending, or detachment. Handle with care when unpacking.

Prepared by:

Checked by:

Reviewed by:

Approved by: