


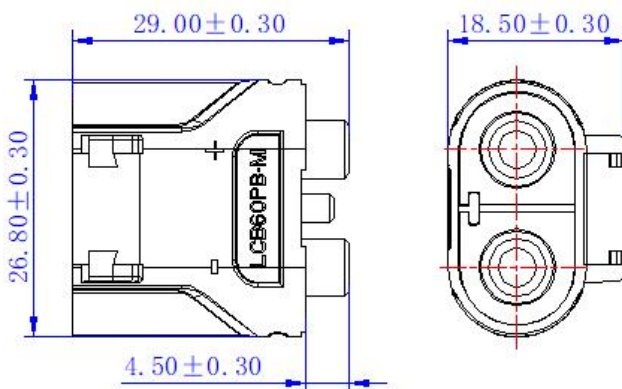


1. Model Number: LCB60PB-M

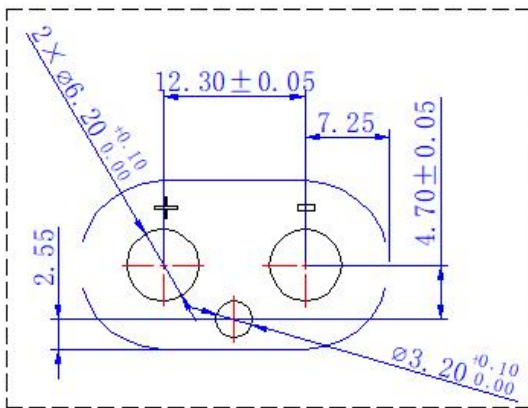
Product Name	Product Code	Product Image
LCB60PB-M Orange	LCB60PB-M.S.O	
LCB60PB-M Black	LCB60PB-M.S.B	
LCB60PB-M Red	LCB60PB-M.S.R	

2. Product stacking diagram

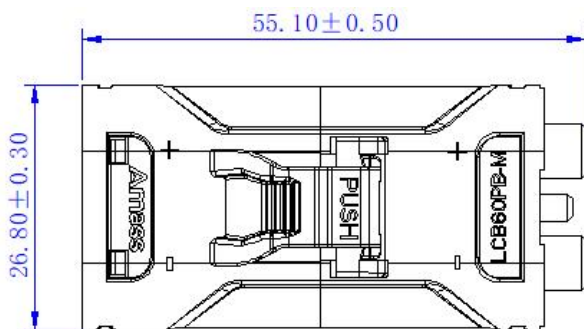
Stacking Dimension



PCB LAYOUT



Mating Dimension



3. Technical Specifications

Elec. Char.	
Rated Current	65A (6AWG 0.08mm/16.0mm ² 0.31mm ^Δ ≤30K) 55A (8AWG 0.08mm/10.0mm ² 0.41mm ^Δ ≤30K) 90A (6AWG 0.08mm/16.0mm ² 0.31mm ^Δ ≤55K) 70A (8AWG 0.08mm/10.0mm ² 0.41mm ^Δ ≤55K)
Rated Voltage	150V DC
Insulation Resistance	≥2000MΩ
Contact Resistance	≤0.6mΩ
Mech. Char.	
Service Life	100 cycles
Insertion force	≤7.5kgf
Pull out force	≥12kgf
Envi. Perf.	
Operating Temperature	-40°C to 120°C
Flame Class (Main Body)	UL94 V-0
GWFI	GWFI 850°C
Environmental Requirements	RoHS2.0, Reach, PAHS, TSCA, CP65
Salt Spray	Per GB/T 2423.17-2008, 48H min.
Mat.	
Housing	Main Plastic Housing: PBT; Orange, Red, Black
Main Copper Part	Copper-T2
Plating	Silver
Appl.	
Connection Method	Soldering

4. Transportation and Storage

- Products shall be stored in a clean and dry environment. No acid, alkali, or other corrosive gases shall be present in the vicinity of the storage area.
- Storage conditions for unopened products: Temperature: -20°C to 25°C; Humidity: ≤80%; Storage period: 1 year.
- For silver-plated components, store in a light-proof, sealed package. Prolonged air exposure or contact with sulfides is strictly prohibited. Bare-hand touching is not allowed.
- Products are suitable for transportation by conventional means. During transport, avoid impact, severe vibration, exposure to rain or snow, and water immersion.

5. Precautions

- Do not use the connector beyond its rated current and voltage, or insert/remove it while the circuit is live. Failure to comply may result in accidents or malfunction.
- The connector is intended for circuit connection only and is not a load-bearing component. Do not use the connector as part of a structural assembly.
- Use the connector only under the environmental conditions specified in this datasheet. Do not use it in locations with high temperature or high humidity.
- The connector is a precision component and is susceptible to deformation, bending, or detachment. Handle with care when unpacking.

Prepared by:

Checked by:

Reviewed by:

Approved by: