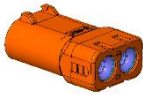

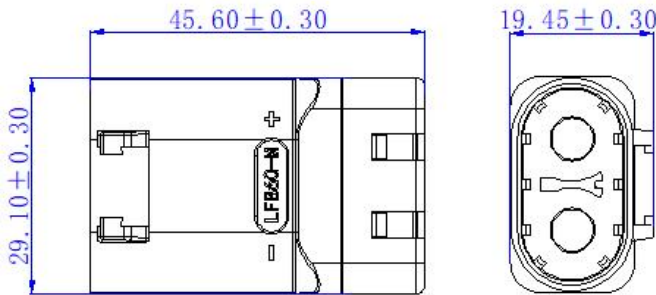


**1. Model Number: LFB60-M**

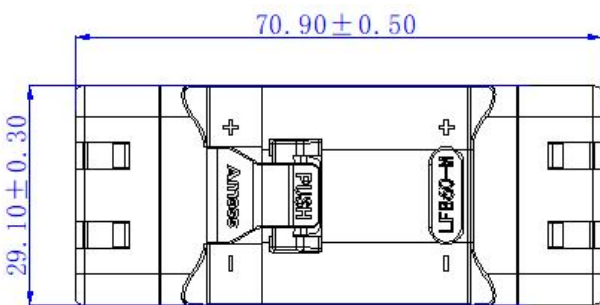
Component Name	Component Type	Product Image
LFB60-M Orange	97031-M.O	
LC60-M Metal Part	99029-M.S	

**2.Product Stacking Diagram**

Stacking Dimension



Mating Dimension



**3. Technical Specifications**

Elec. Char.	
Rated Current	65A (6AWG 0.08mm <sup>2</sup> /16.0mm <sup>2</sup> 0.31mm <sup>Δ</sup> ≤30K) 55A (8AWG 0.08mm <sup>2</sup> /10.0mm <sup>2</sup> 0.41mm <sup>Δ</sup> ≤30K) 90A (6AWG 0.08mm <sup>2</sup> /16.0mm <sup>2</sup> 0.31mm <sup>Δ</sup> ≤55K) 70A (8AWG 0.08mm <sup>2</sup> /10.0mm <sup>2</sup> 0.41mm <sup>Δ</sup> ≤55K)
Rated Voltage	150V DC
Insulation Resistance	≥2000MΩ
Contact Resistance	≤0.6mΩ
Mech. Char.	
Service Life	30 cycles
Insertion force	≤9.0kgf
Pull out force	≥14kgf
Env. Perf.	
IP Rating	IP67
Operating Temperature	-20°C to 120°C
Flame Class	UL94 V-0 (Tmin 0.8mm)
GWFI	GWFI 850°C (Tmin 0.8mm)
Environmental Requirements	RoHS2.0, Reach, PAHS, TSCA, CP65
Salt Spray	Per GB/T 2423.17-2008, 48H min.
Mat.	
Housing	Main Plastic Housing: PBT; Orange
Main Copper Part	Copper-T2
Plating	Silver
Appl.	
Connection Method	Hexagonal Crimping

**4. Transportation and Storage**

- a) Products shall be stored in a clean and dry environment. No acid, alkali, or other corrosive gases shall be present in the vicinity of the storage area.
- b) Storage conditions for unopened products: Temperature: -20°C to 25°C; Humidity: ≤ 80%; Storage period: 1 year.
- c) For silver-plated components, store in a light-proof, sealed package. Prolonged air exposure or contact with sulfides is strictly prohibited. Bare-hand touching is not allowed.
- d) Products are suitable for transportation by conventional means. During transport, avoid impact, severe vibration, exposure to rain or snow, and water immersion.

**5. Precautions**

- a) Do not use the connector beyond its rated current and voltage, or insert/remove it while the circuit is live. Failure to comply may result in accidents or malfunction.
- b) The connector is intended for circuit connection only and is not a load-bearing component. Do not use the connector as part of a structural assembly.
- c) Use the connector only under the environmental conditions specified in this datasheet. Do not use it in locations with high temperature or high humidity.
- d) The connector is a precision component and is susceptible to deformation, bending, or detachment. Handle with care when unpacking.

Prepared by:

Checked by:

Reviewed by:

Approved by: